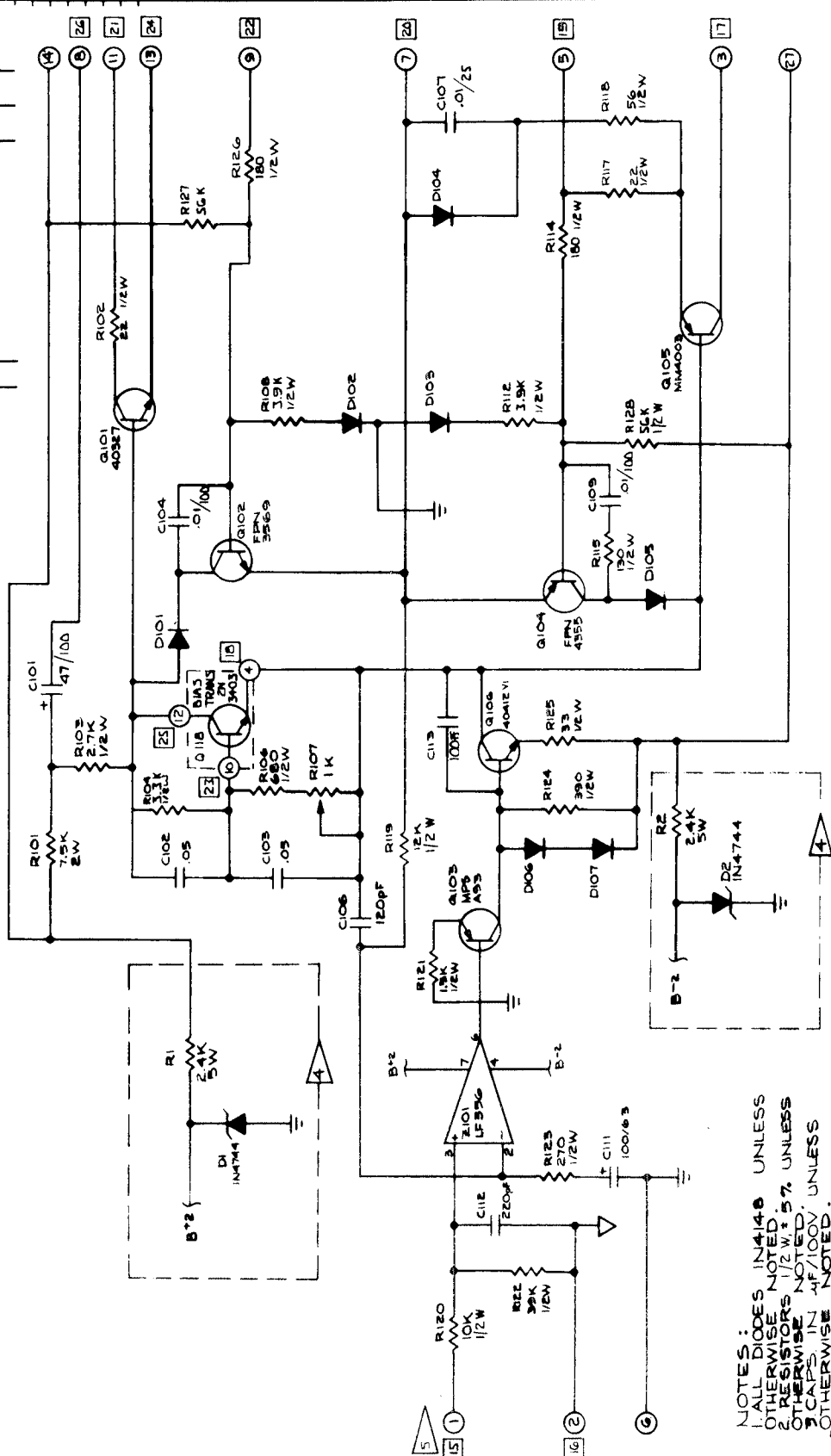


Diagram 2-1. Schematic: PL36, Main PCB.

UN	REVISION	DATE	APPROVAL
B	CORRECTIONS PER AUDIT	TDM	P-3-0



NOTES:
 1. ALL DIODES IN4148 UNLESS OTHERWISE NOTED.
 2. ALL RESISTORS 1/2 W. ± 5% UNLESS OTHERWISE NOTED.
 3. CAPACITORS 47/100 UNLESS OTHERWISE NOTED.
 4. OPERATIONAL AMPLIFIERS (NOT 20 SERIES) REF DESIGNATORS (NOT SHOWN) ARE IDENTICAL TO THE SCHEMATIC REPRESENTATION AS SHOWN INCLUDING COMPONENTS INCLUDED IN CHANNEL B.
 5. BOXED NUMBERS INDICATE CHANNEL B PIN-OUTS.

Phase Linear		DATE	6/15/70
PCB SCHEMATIC		DESIGNER	TLP
AMPLIFIER		APPROVED	12/24/77
700 SERIES TWO		RELEASE STATUS	
REV	NO.	DATE	BY
1	C	PL 36	PL 36
2			
3			
4			
5			
6			
7			
8			
9			
10			
11			
12			
13			
14			
15			
16			
17			
18			
19			
20			
21			
22			
23			
24			
25			
26			
27			
28			
29			
30			
31			
32			
33			
34			
35			
36			
37			
38			
39			
40			
41			
42			
43			
44			
45			
46			
47			
48			
49			
50			
51			
52			
53			
54			
55			
56			
57			
58			
59			
60			
61			
62			
63			
64			
65			
66			
67			
68			
69			
70			
71			
72			
73			
74			
75			
76			
77			
78			
79			
80			
81			
82			
83			
84			
85			
86			
87			
88			
89			
90			
91			
92			
93			
94			
95			
96			
97			
98			
99			
100			

Diagram 2-1. Schematic: PL36, Main PCB

