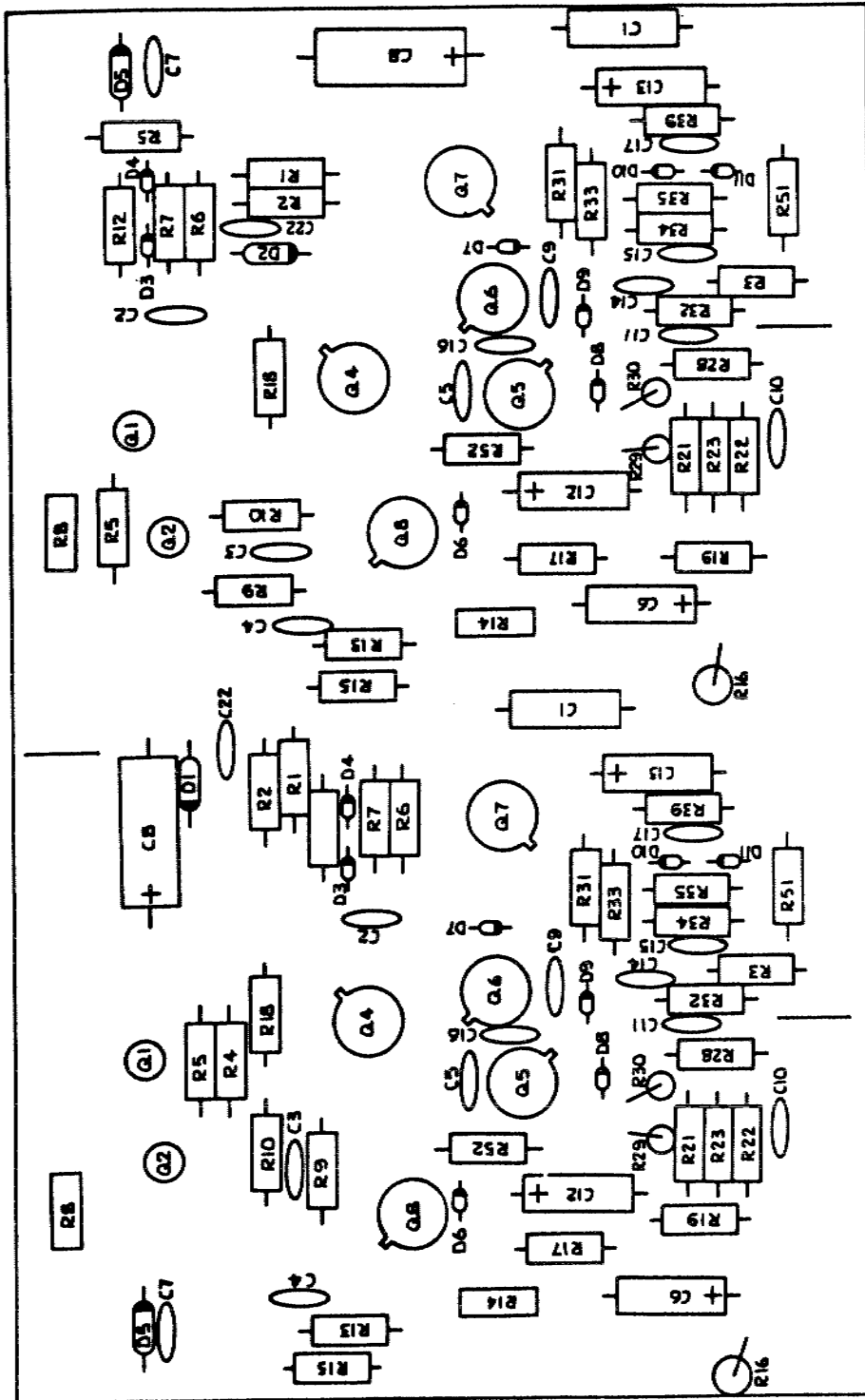
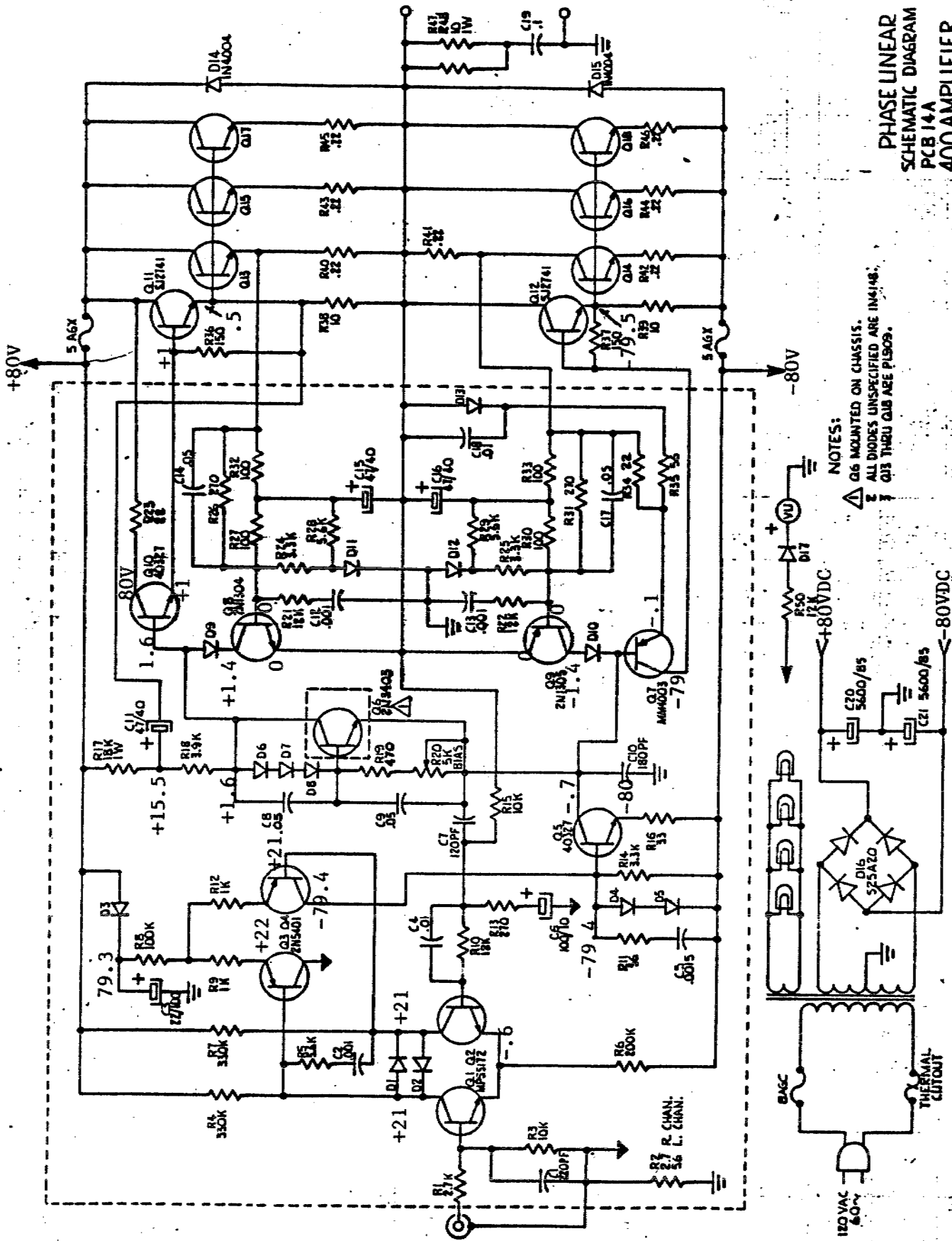


PHASE LINEAR 400
 PCB ASSEMBLY
 PL 400C



NOTE: Test measurements are made with no inputs or outputs connected to the amp.



PHASE LINEAR
SCHEMATIC DIAGRAM
PCB 14A
400 AMPLIFIER

Rev 9, 1973

- NOTES:
- △ Q6 MOUNTED ON CHASSIS.
 - ALL DIODES UNSPECIFIED ARE IN4148.
 - ▽ Q13 THRU Q16 ARE P1309.

PHASE LINEAR
ASSEMBLY PCB14A
400 AMPLIFIER

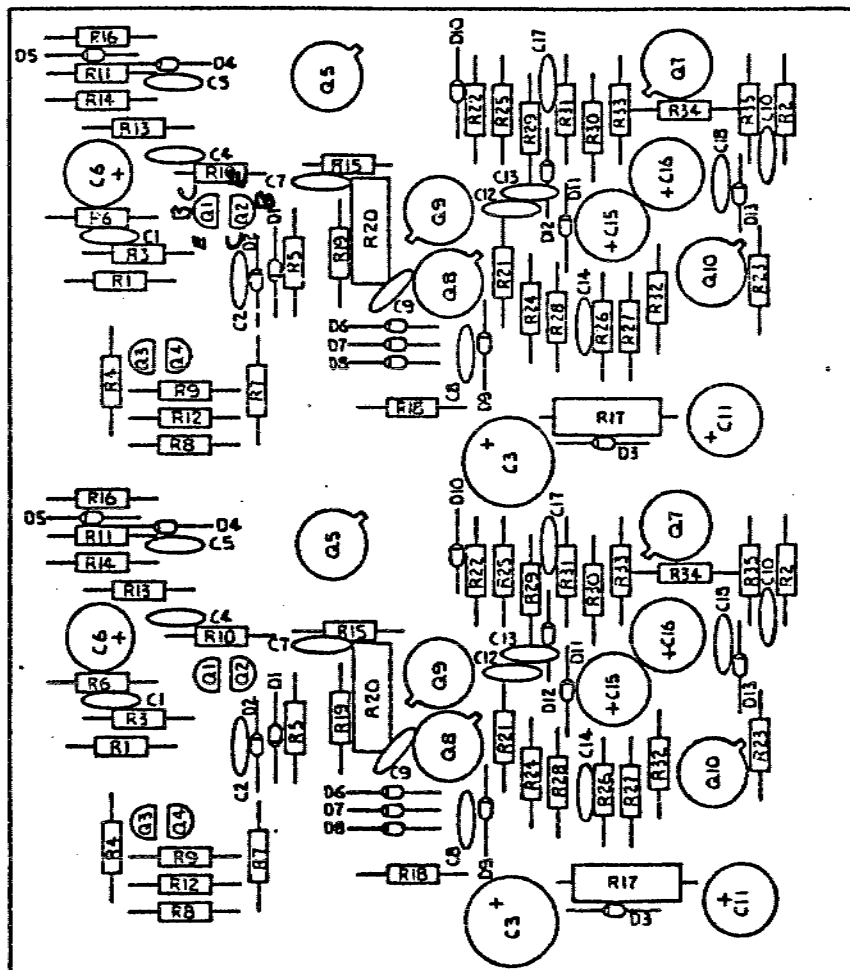
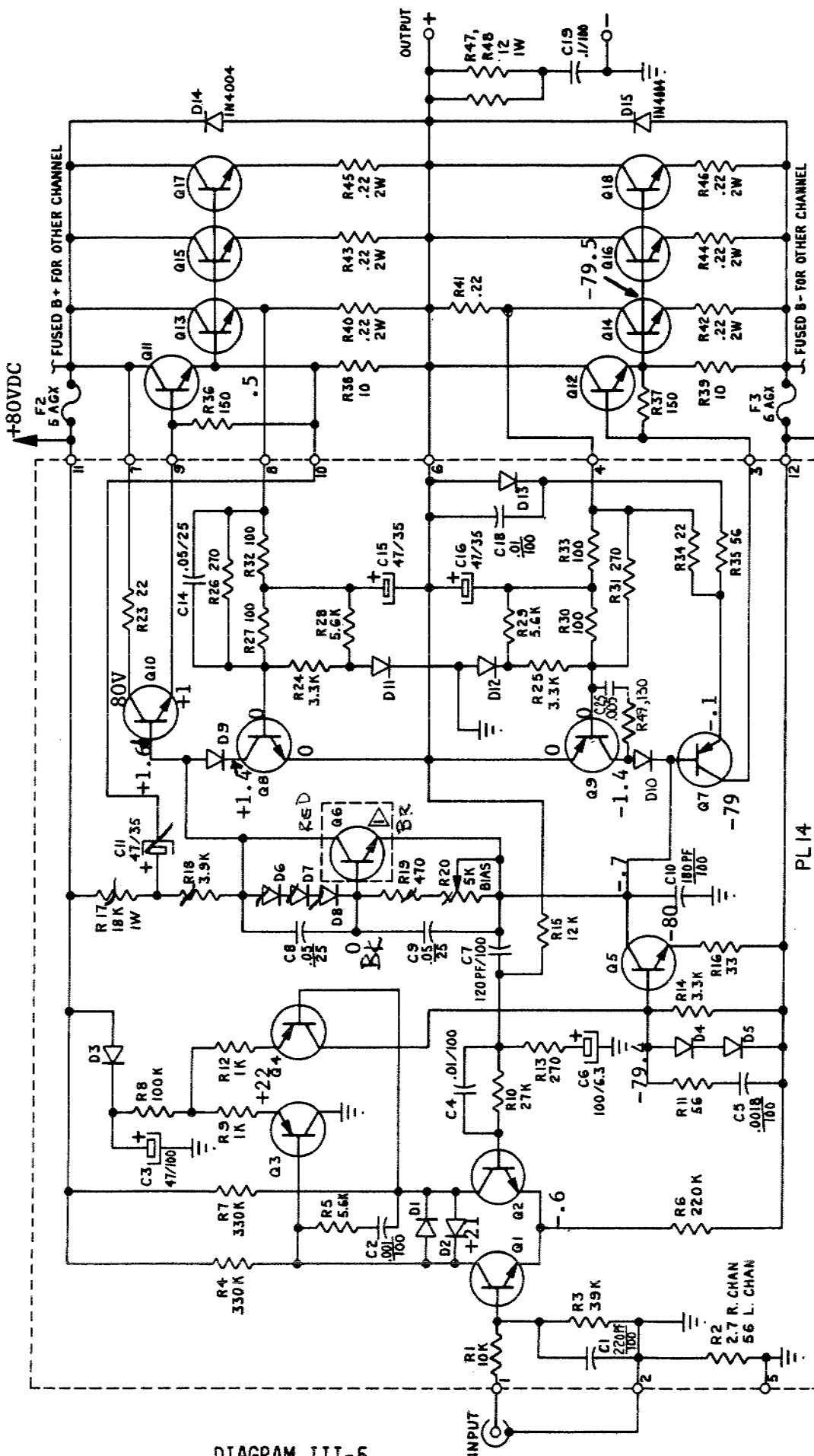


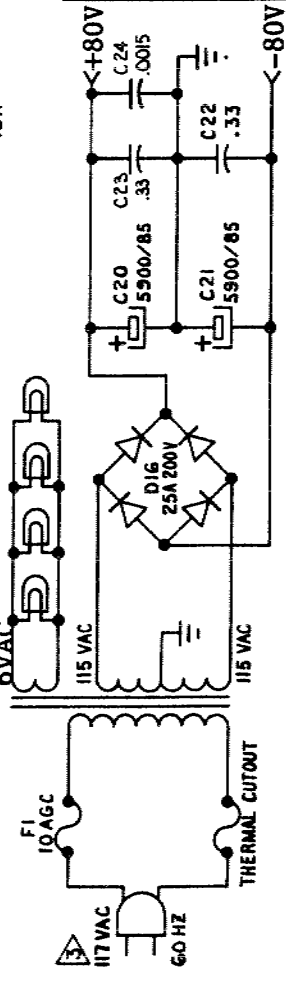
DIAGRAM III-5



NOTE: Test voltages are measured with no inputs or outputs connected to the amp.

NOTE: ∇ Q6 MOUNTED ON CHASSIS.
 2. ALL DIODES UNSPECIFIED ARE IN414B.
 ∇ EXPORT MODELS ARE 230VAC OR 250VAC.

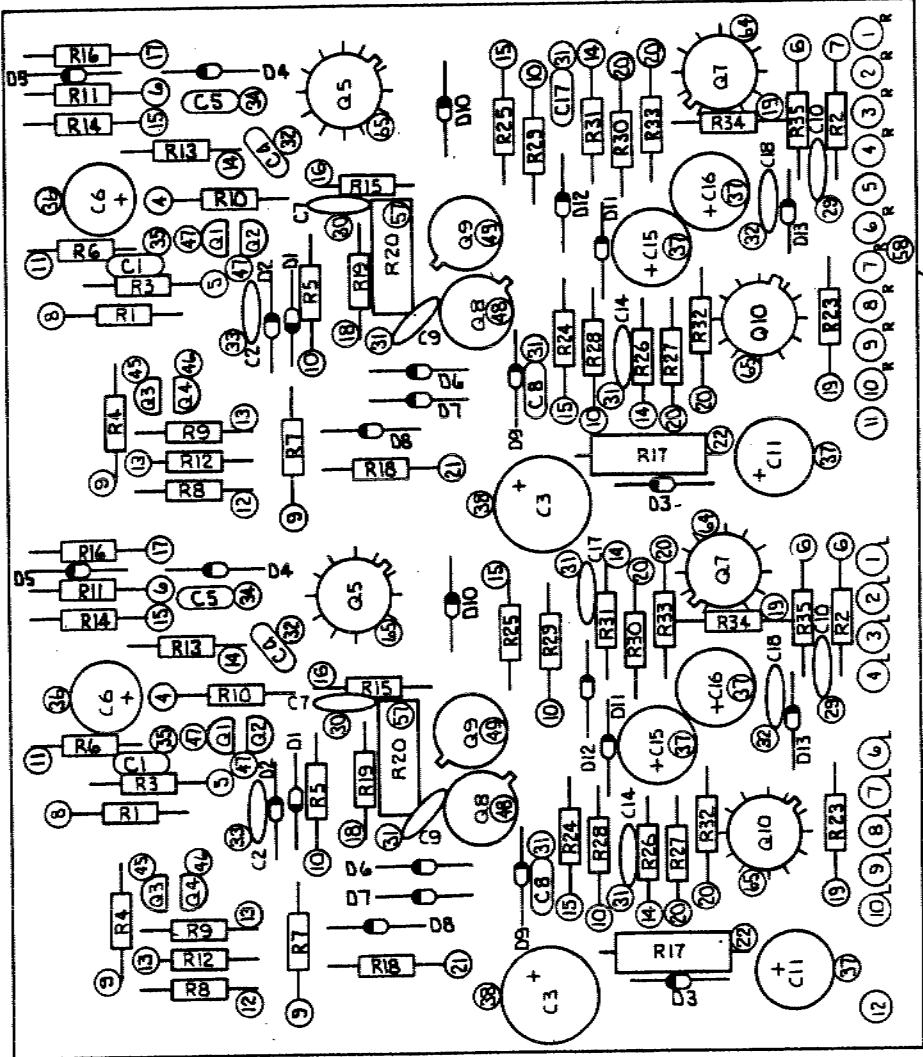
TRANSISTORS	
Q1, Q2	T1S-97
Q3	T1S-93
Q4	MPS-A93
Q5, Q10	4032T
Q6	2N3403
Q7	MM4003
Q8	2N1304
Q9	2N1305
Q11, Q12	6654C
Q13-Q18	PL 909



DRAWN	P. LANDRESSE 10/15/75
CHECKED	/ / /
APPROVED	/ / /
RELEASE STATUS	
PREL.	/ / /
FINAL	/ / /
DO NOT SCALE DWG.	/ / /

Phase Linear	
SCHEMATIC	
400 AMPLIFIER	
SIZE	C
DWG. NO.	402471
REV.	N
SCALE	NONE
PAGE 1 OF 1	

NOTE FOR SCHEMATIC SEE DWG 402471



NOTES: UNLESS OTHERWISE SPECIFIED DIODES ARE IN4148.

O3 ASSY 400 POWER AMP PCB. PL14B.

- C- SAME AS D EXCEPT C1 IS 100PF/100
- D- SAME AS O1 EXCEPT EXTRA HOLES ARE ON PCB. AND ADD 1 JUMPER ON PAD 11.
- O1- SAME AS O2 EXCEPT Q1 & Q2 ARE MPS612Z.
- O2- SAME AS O3 EXCEPT R16 IS 200K & C5 IS .0015PF.
- O3- SHOWN

DRAWN	PICKENS	8-8-74
CHECKED		8-8-74
APVD		
RELEASE STATUS		
PREL		
FINAL		
DO NOT SCALE DWG		
C	PL14	402471-2
SCALE		2/1
REV		H
SHEET		1 OF 1

PHASE LINEAR

PCB ASSY
400 PWR AMP