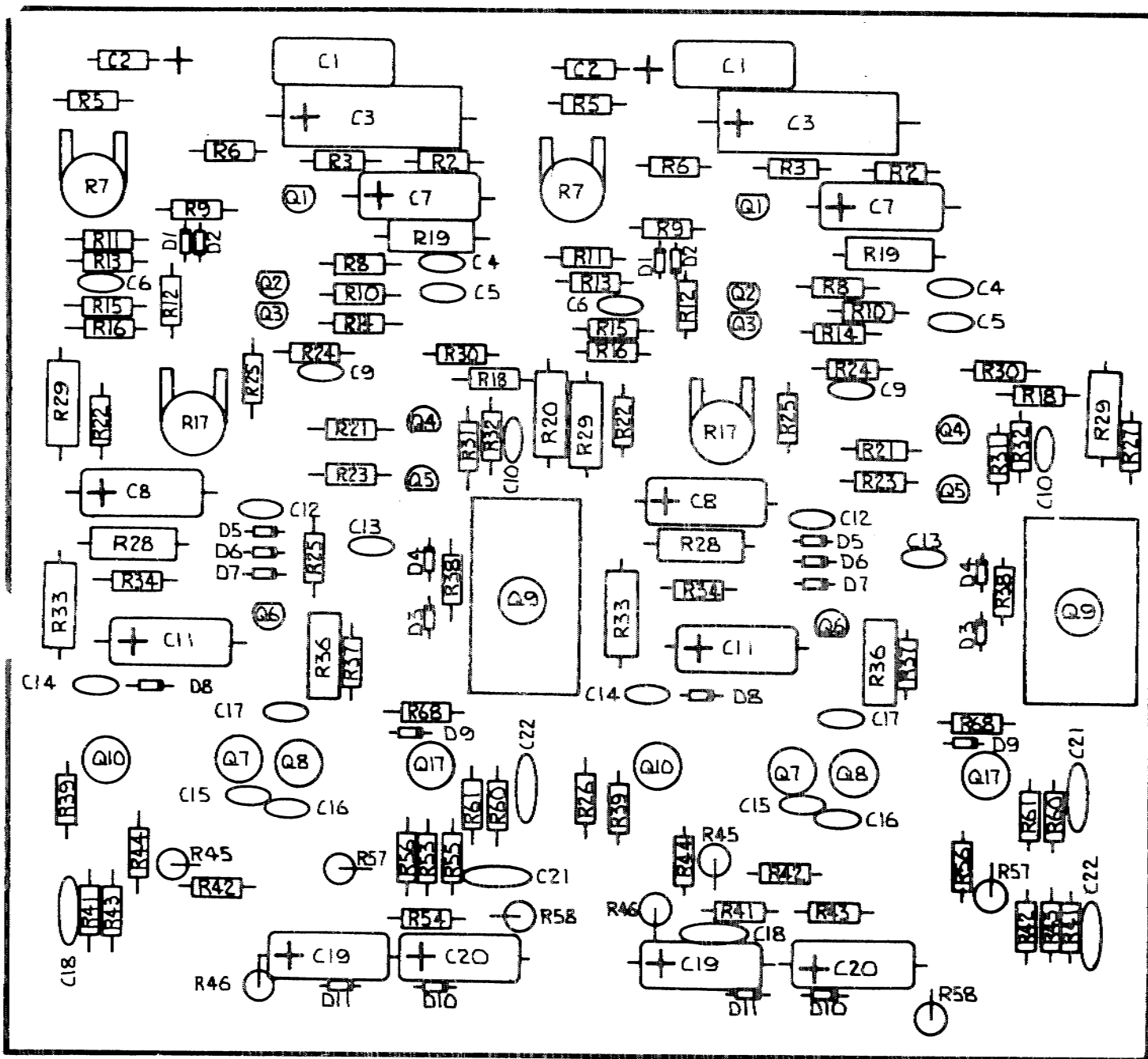
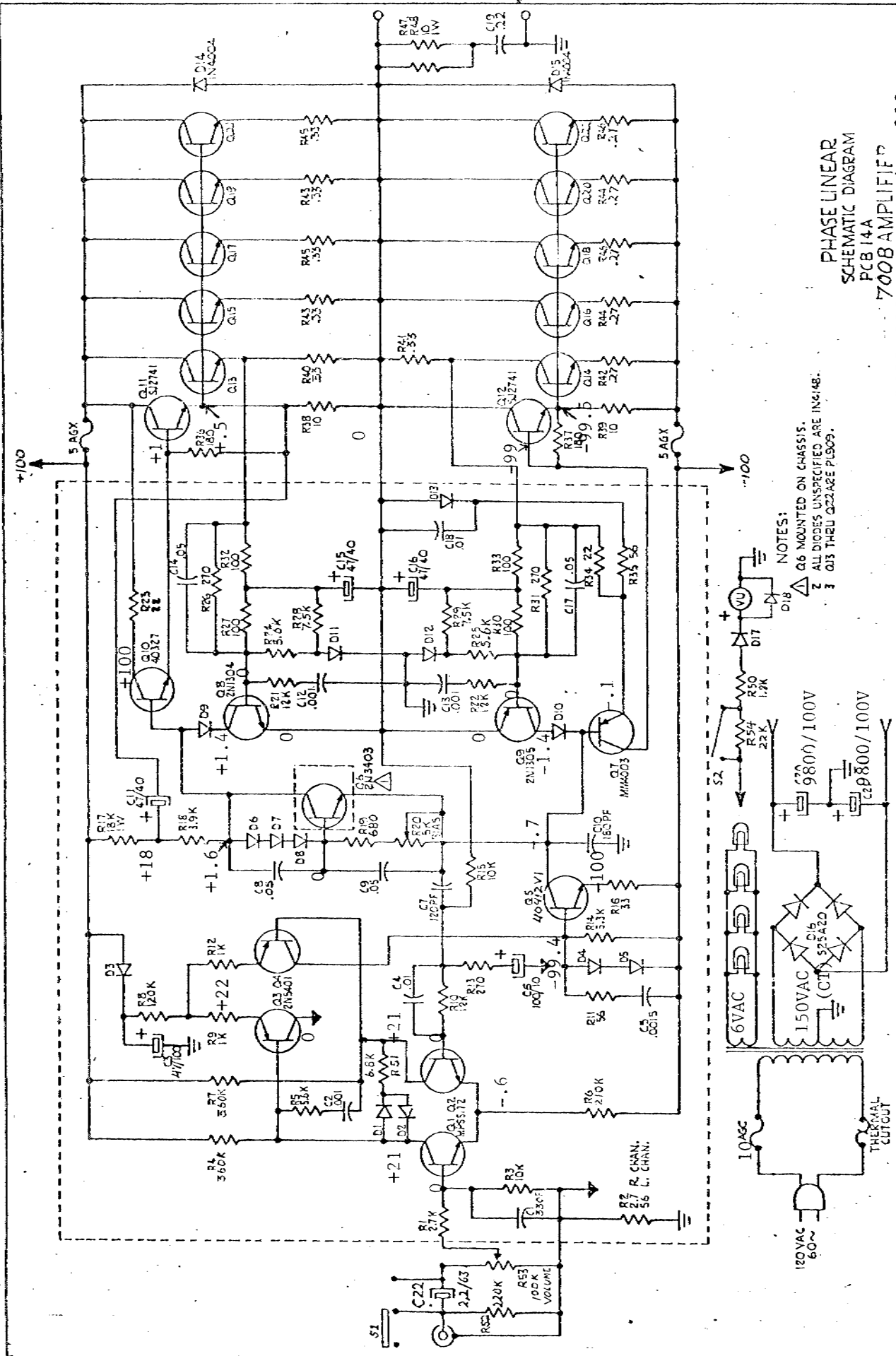


Schematic Diagram, PL 0171 PCB(700)



Assembly Diagram, PL0171 PCB (Model 700)

Note: All voltage measurements are made with no inputs or outputs connected to the amplifier.

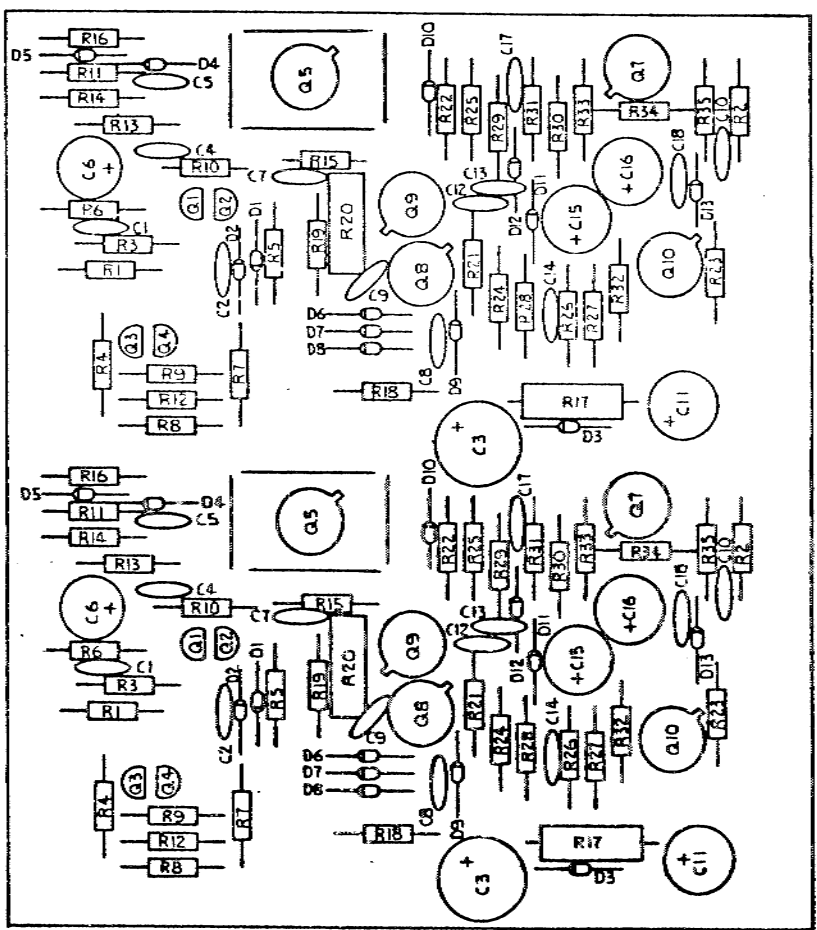


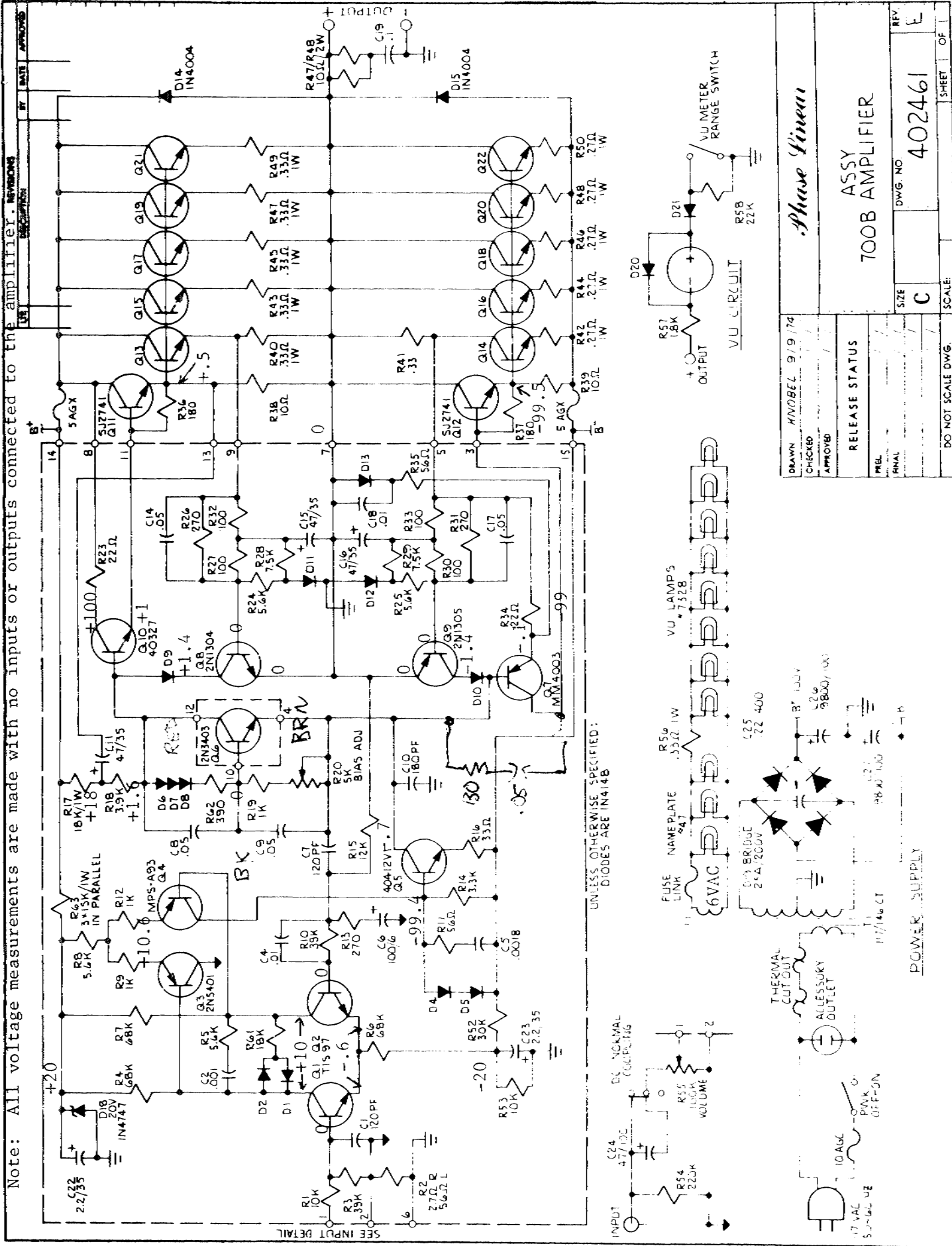
PHASE LINEAR  
SCHEMATIC DIAGRAM  
PCB 14A  
700B AMPLIFIER

Ser. #673-000 through 4 200

- NOTES:
- 1 Q6 MOUNTED ON CHASSIS.
  - 2 ALL DIODES UNSPECIFIED ARE 1N4148.
  - 3 Q13 THRU Q22 ARE 1N5009.

PHASE LINEAR  
ASSEMBLY PCB14-A  
700B AMPLIFIER  
Ser. #673-000 through 474-200





Note: All voltage measurements are made with no inputs or outputs connected to the amplifier.

REVISIONS: BY DATE APPROVED

Phase Linear	
ASSY	700B AMPLIFIER
RELEASE STATUS	
PREL	
FINAL	
SIZE	C
DWG NO.	402461
REV.	E
DO NOT SCALE DWG.	SCALE
SHEET	OF 1

Schematic Diagram, Mode 1 700B PL20 PCB Ser.#574-000 through 574 0, and #1000 through 70